

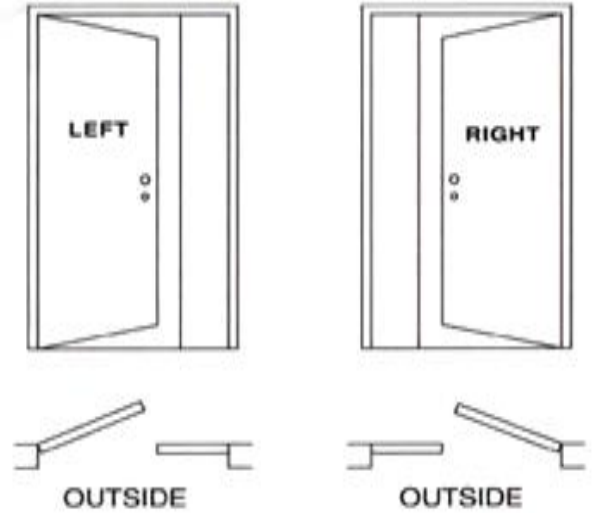
TECHNICAL NOTES

double doors

	DOOR standard dimension	Passage size	Brick to brick
Width	1000	990	1134
	1050	1040	1184
	1100	1090	1234
	1150	1140	1284
	1200	1190	1334
	1250	1240	1384
	1300	1290	1434
	1400	1390	1534
Height	2100	2100	2172

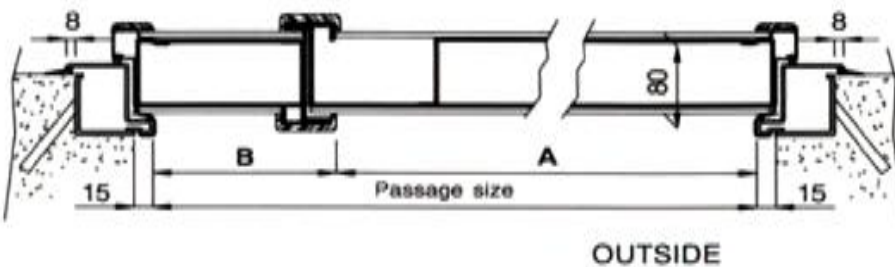
LEAF STANDARD WIDTH			
unequal leaves		equal leaves	
A	B	A	B
700		500	500
750	300	550	550
800	350	600	600
850	400	650	650
900		700	700

OPENING DIRECTION

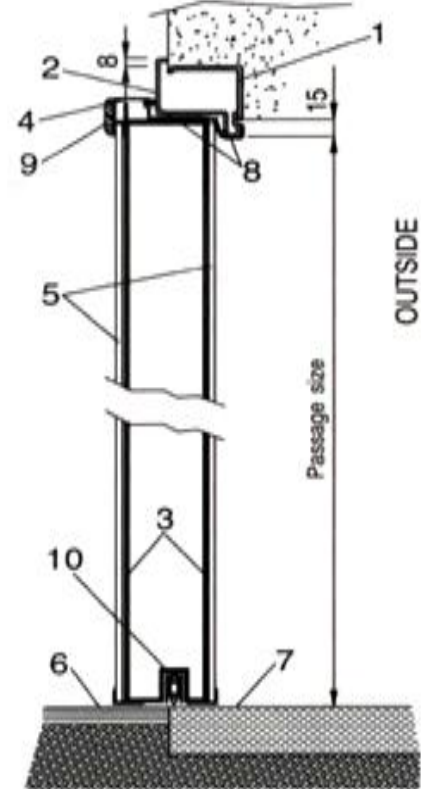


- 1 Sub-frame
- 2 Plasticated steel frame
- 3 Steel leaf
- 4 Edging strip in plasticated steel and wood
- 5 Wooden panel
- 6 Internal floor
- 7 External sill
- 8 Double rubber seal
- 9 Wooden framecover
- 10 Mobile drop sill

HORIZONTAL SECTION



VERTICAL SECTION



made in **Italy**



الإدارة والمعرض :-
 ٢٠ | عمارات العبور - الدور الثاني - صلاح سالم - م. نصر - القاهرة
 تليفون / فاكس : ٢٤٠٢١ ٩٧٤ موبيل : ١٤٠ ٦ ٢١٧ ١٢ ٠١٠ ٧٧ ٢٦٠٠٠
 www.anfalegypt.com - Email: sales@anfalegypt.com